

# THE NEW COMPACT RICE MILLING MACHINERY

VERTICAL RICE WHITENER VTA3CM-T, RICE POLISHER KB35CM-T



VTA3CM-T



KB35CM-T

Satake innovates continuously and creates a marvel repeatedly. These new compact rice milling machineries are the latest in the list.

These machines improve on existing design and incorporate various improvements to suit long grain milling in a gentle manner.

## VTA'S FEATURES:

### 1. The Most Compact VTA :

This new model is suitable for small scale rice millers with compact size and small capacity of electrical motor. Also, it can provide quality of milled rice same as existing VTA series.

### 2. Lower Milling Temperatures :

Due to improved design for air circulation inside the milling chamber and greater aspiration through the bran duct, the temperature inside the milling chamber is greatly reduced. This remains the good characteristics of rice while it is milled gently.

## KB'S FEATURES:

### 1. Improves the Appearance of Rice :

The surface of milled rice become smooth and clean, leading to enhanced commercial value.

### 2. Gentle Polishing :

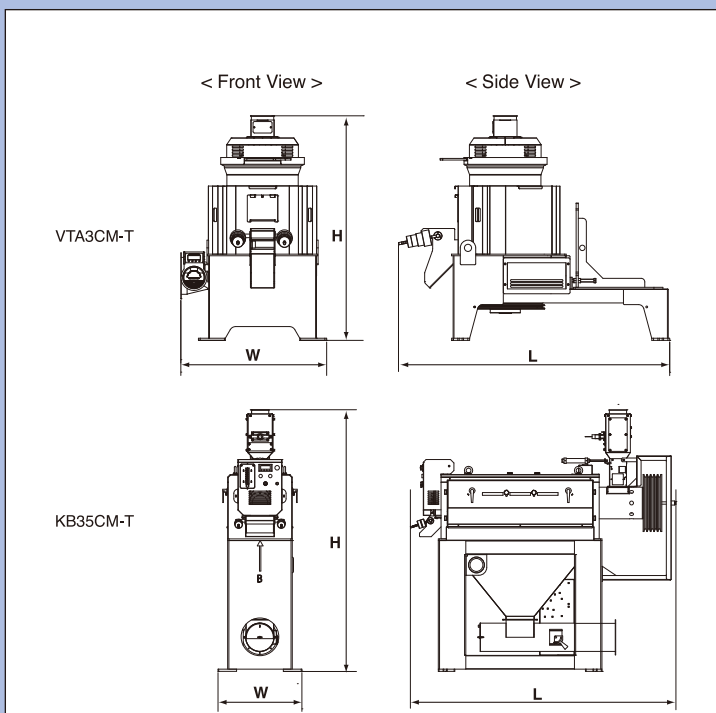
The Satake KB is designed to minimize breakage of rice kernels. Milling rolls and screens are chosen to best fit the material.

## THE NEW COMPACT RICE MILLING MACHINERY

### Specifications

| Machine                                   | Vertical Rice Whitener | Rice Polisher |
|---|------------------------|---------------|
| Model                                     | VTA3CM-T               | KB35CM-T      |
| Input Capacity (t/h)                      | 1-2                    | 1-2           |
| Motor (kW)                                | 22 (4P)                | 22 (4P)       |
| Required Air Volume (m <sup>3</sup> /min) | 30                     | 40            |
| Static Pressure (kpa)                     | 1.0-1.5                | 1.0-1.5       |

### Dimensions



| Model    | W (mm) | L (mm) | H (mm) | Weight (kg) *1 |
|----------|--------|--------|--------|----------------|
| VTA3CM-T | 814    | 1,513  | 1,253  | 750            |
| KB35CM-T | 610    | 1,930  | 1,902  | 579            |

\*1 Approximate Net Weight (Without Motor)

### Recommendation of Hybrid Use



By combining VTA and KB, it can improve the milling yield and appearance. (The number and combination of machines are dependent on materials.)

All Satake products are the subject of continuous development and, as a result, their specification may change and differ in detail from those shown.

## SATAKE CORPORATION

**Head Office**  
2-30 Saijo Nishionomachi,  
Higashi-Hiroshima-shi, Hiroshima-ken,  
739-8602, Japan  
URL : [www.satake-group.com](http://www.satake-group.com)

**SATAKE USA INC.**  
10900 Cash Road,  
Stafford, Texas, 77477, U.S.A.  
URL : [www.satake-usa.com](http://www.satake-usa.com)

**SATAKE AMERICA LATINA LTDA.**  
Rua Xavantes, 155-Pav. 20, Bairro  
Atiradores, CEP 89203-210, Joinville,  
Santa Catarina, Brazil  
URL : [www.satake.com.br/](http://www.satake.com.br/)

**SATAKE EUROPE LTD.**  
P.O. Box 53, Horsfield Way, Bredbury  
Industrial Park, Bredbury, Stockport,  
Cheshire, SK6 2SU, U.K.  
URL : [www.satake-europe.com](http://www.satake-europe.com)

**SATAKE INDIA ENGINEERING PVT. LTD.**  
4th Floor, Tower-1, HB Twin Towers, A2,  
3, 4, Netaji Subhash Place, Wazirpur  
District Centre, New Delhi, 110034, India  
URL : [www.satakeindia.com/](http://www.satakeindia.com/)

**SATAKE (THAILAND) CO., LTD.**  
133,134 Moo 5, Bangkadi, Mueang  
Pathum Thani, Pathum Thani 12000,  
Thailand  
URL : [www.sataketh.com](http://www.sataketh.com)

**SATAKE INTERNATIONAL BANGKOK CO., LTD.**  
888/84 Mahatun Plaza Bld., 8th Floor,  
Ploenchit Rd., Lumpini, Pathumwan,  
Bangkok, 10330, Thailand  
URL : [www.sataketh.com](http://www.sataketh.com)

**PT. SATAKE GOBEL INDONESIA**  
Gedung Surabaya Bumi Mandiri,  
Lantai 9, Jalan Jenderal Basuki  
Rachmat Nomor 129-137, Unit 905 B,  
Indonesia

**SATAKE MANUFACTURING (SUZHOU) CO., LTD.**  
229 Jin Feng Road, Suzhou New  
District, Suzhou, Jiangsu Province,  
215129, China  
URL : [www.satake.cn/](http://www.satake.cn/)

**SATAKE AUSTRALIA PTY. LTD.**  
15 Leland Street, Penrith, N.S.W.,  
2750, Australia  
URL : [www.satake.com.au](http://www.satake.com.au)

ISO 9001 Certification  
(Quality Management Systems)

ISO 14001 Certification  
(Environmental Management Systems)

SATAKE CORPORATION has obtained ISO9001 and ISO14001 certification. These international standards for management systems ensure Satake will continue to provide high quality products and services.