

---

# SATAKE TESTING MILL

---



TM05C  
(CE model)

FOREMOST IN THE GRAIN WORLD  
**SATAKE CORPORATION**

Satake's Testing Mill is a compact machine that can be used to determine approximate total milling recovery in the grain whitening process. This machine is widely used throughout the world, in laboratories, research stations and educational institutions.

## FEATURES

### 1. Small Sample

Requires only 200 grams of material.

### 2. Applications

Produces samples milled to different degrees of whiteness in a short time.

### 3. Laboratory Use

Compact desktop construction facilitates installation and operation in laboratories.

### 4. Variable Speed

Built-in multi-groove pulley provides easy speed changes.

### 5. Timer-controlled Operation

Adjustable timer allows accurate and automatic operation.

### 6. Quality Grading

Transparent front cover enables judgement of milling degree by observing the color of the bran produced.

## SPECIFICATIONS

Model	TM05C	
Power	AC100V, single-phase	
Required motor	0.4 kW, 4P	
Overall Dimensions (mm)	Depth	374
	Width	580
	Height	386
Shipping weight (kg)	84	
Shipping volume (m <sup>3</sup> )	0.3	
Accessories	Spanner x 1	
	Cleaning brush x 2	
	Abrasive roller #30 x 1	
	Abrasive roller #36 x 1	

\*#40 grit abrasive roller is mounted on the machine.

\*Other available abrasive rollers : #46, #60

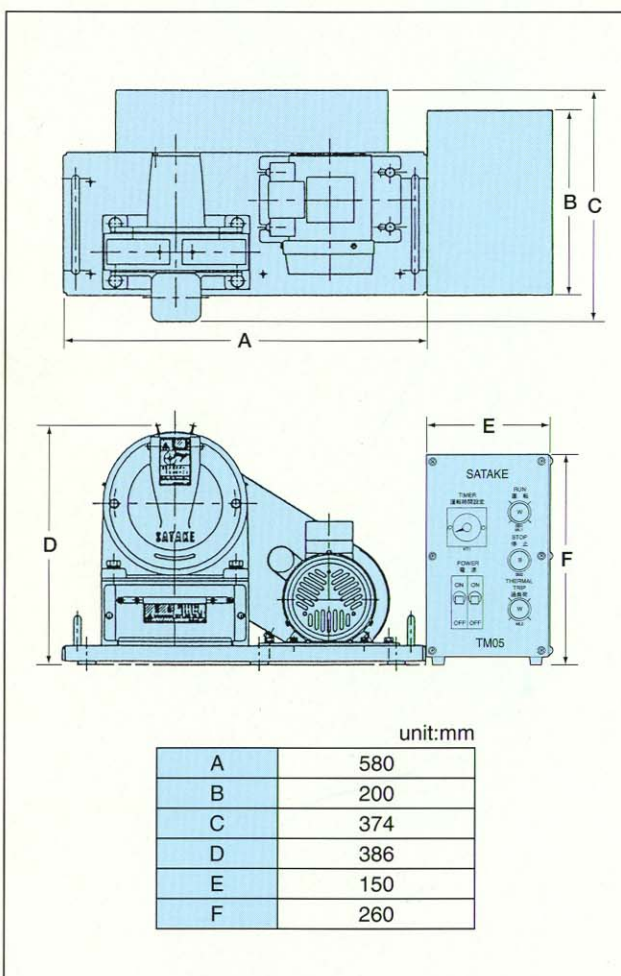
\*CE model is available.

\*Specifications subject to change without notice.

## APPLICATIONS

Material		Abrasive Roller Grit size	Speed (rpm)
Brown rice	Short grain	36 or 40	800~1,000
	Long grain	36 or 40	800~900
Rye		30 or 36	900~1,000
Barley		30	1,000~1,200
Sake Brewing rice		46 or 60	800~1,100

## DIMENSIONS



Since 1896

# SATAKE CORPORATION

2-30 Saijo, Nishihon-machi, Higashihiroshima-shi, Hiroshima-ken,  
739-8602 Japan Tel. 81-824-20-8539 Fax. 81-824-20-0865  
E-mail:JDG02056@nifty.ne.jp

CAT NO. VII-4-(3)