

Destoner for Rice

DESTONER

SGA5B-T / 10B-T / 15BD-T



SGA10B-T

The Satake Destoner SGA concentrates impurities for more efficient separation by subsequent machines.

It separates the material into four groups by density.

- 1) Stones and other heavy impurities.
- 2) Whole clean grain.
- 3) Low density and damaged kernels with light impurities.
- 4) Dust.

FEATURES:

1. Stone Discharging and Resort Mechanism:

The discharged stones from the primary sieves contain some grains. This mixed fraction is sent to the secondary sieve by a pneumatic transfer system, using a built-in fan. Stones are concentrated and discharged.

2. Easy maintenance:

The simple construction makes cleaning or replacement of the sieves easy.

3. Compact Design:

The Satake Destoner is a compact and space-saving unit. The vibrating motor eliminates the need for any pulleys, belts, eccentric bearings etc.

DESTONER

Specifications

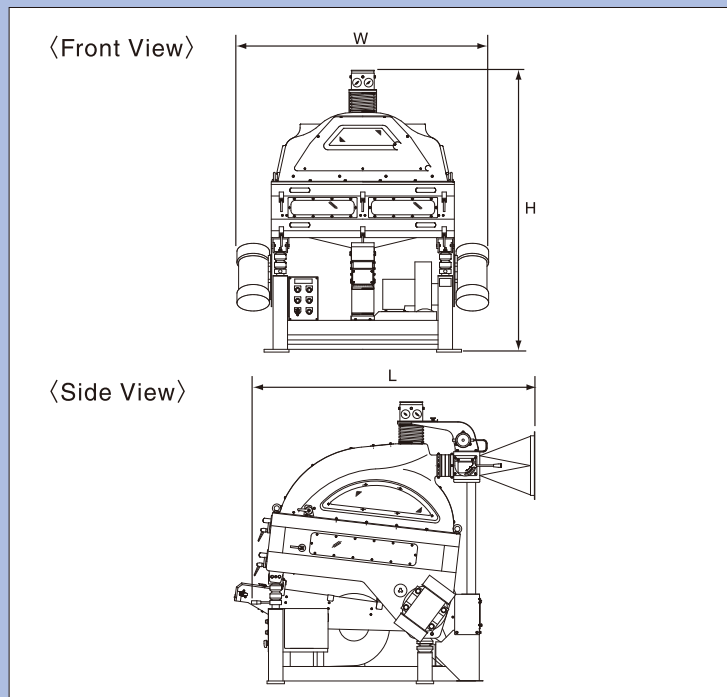
Model	SGA5B-T	SGA10B-T(1)(2)	SGA15BD-T
Capacity(t/h) Brown Rice	5	10	15
Required Motor (kW)	1.49 (0.37×2, 0.75×1)	2.25 (0.75×3)	2.25 (0.75×3)
Air Volume(m ³ /min.)	80~90	120~140	180~210
Static Pressure (kPa)	-0.7	-0.7	-0.7

Material Condition

Material	Moisture Content(%)	Bulk Density(t/m ³)
Brown Rice	Less than 15	0.75~0.80

*Capacities are dependent on material characteristics.

Dimensions



Model	W (mm)	L (mm)	H (mm)	Net Weight (kg)
SGA5B-T	1,304	2,074	1,979	500
SGA10B-T(1)(2)	1,814	2,074	1,946	750
SGA15BD-T	2,440	2,074	2,179	800

*Dimensions with secondary sorting device

All copyright and trademark rights of this catalog belong to Satake Co., unless otherwise noted. Unauthorized copying, reprinting, etc. are forbidden. All Satake products are the subject of continuous development and, as a result, their specification may change and differ in detail from those shown.

SATAKE CORPORATION

Head Office
2-30 Saijo Nishihonmachi,
Higashi-Hiroshima-shi, Hiroshima-ken,
739-8602, Japan
URL : <https://satake-group.com/>

Korea Branch
Alpha mighty Dunsan Building, 16F,
239, Daedeck-daero, Seo-gu, 35229
Thailand
URL : <https://satake-group.com/>

SATAKE USA INC.
10900 Cash Road,
Stafford, Texas, 77477, U.S.A.
URL : www.satake-usa.com

SATAKE AMERICA LATINA LTDA.
Rua Xavantes, 155-Pav. 20, Bairro
Atiradores, CEP 89203-210, Joinville,
Santa Catarina, Brazil
URL : www.satake.com.br

SATAKE EUROPE LTD.
Horsfield Way, Bredbury Industrial Park,
Bredbury, Stockport, Cheshire, SK6 2SU,
U.K.
URL : www.satake-europe.com

SATAKE INDIA ENGINEERING PVT. LTD.
4th Floor, Tower-1, HB Twin Towers, A2,
3, 4, Netaji Subhash Place, Wazirpur
District Centre, New Delhi, 110034, India
URL : www.satakeindia.com

SATAKE (THAILAND) CO., LTD.
133,134 Moo 5, Bangkadi, Mueang
Pathum Thani, Pathum Thani 12000,
Thailand
URL : www.sataketh.com

SATAKE ASIA CO., LTD.
888/84 Mahatun Plaza Bld., 8th Floor,
Ploenchit Rd., Lumpini, Pathumwan,
Bangkok, 10330, Thailand
URL : www.sataketh.com

PT. SATAKE GOBEL INDONESIA
Gedung Surabaya Bumi Mandiri, Lantai
9, Jalan Jenderal Basuki Rachmat Nomor
129-137, Unit 905 B, Indonesia
URL : <https://satake-group.com/>

SATAKE VIETNAM CO., LTD.
Copac Square 12 Ton Dan street, Floor
3A, Ward 13, District 4, HCMC, Vietnam
URL : <https://satakevietnam.com/>

SATAKE MANUFACTURING (SUZHOU) CO., LTD.
229 Jin Feng Road, Suzhou New
District, Suzhou City, Jiangsu Province,
215129, China
URL : www.satake.cn

SATAKE AUSTRALIA PTY. LTD.
15 Leland Street, Penrith, N.S.W.,
2750, Australia
URL : www.satake.com.au

ISO 9001 Certification
(Quality Management Systems)

ISO 14001 Certification
(Environmental Management Systems)

SATAKE CORPORATION has obtained
ISO9001 and ISO14001 certification.
These international standards for management
systems ensure Satake will continue to provide
high quality products and services.