

Polishing Machine for Improved Product Quality

# MILLING POLISHER

**KB80HS**



KB80HS

The Satake Milling Polisher KB80HS cleans the surface of rice, significantly enhancing the quality of finished products. The machine has achieved an excellent reputation in many countries for its high performance and for the innovations which have been incorporated over the past 30 years.

## FEATURES:

### 1. New Milling Roller

New milling roller has been developed to further improve the performance of Satake KB series.

### 2. Increased capacity

Enhanced conveying and polishing systems provide capacity double that of the KB40G-TA, without increasing installation space.

### 3. Improves rice quality

Greater mist-adding capacity controls rice temperature during polishing and allows uniform removal of bran, producing brilliantly white, shiny rice.

### 4. Easy maintenance

A redesigned main body side cover greatly improves maintenance efficiency.

### 5. Easy operation

The flow control dial is located on the upper part of the front panel for easy access and operation.

### 6. Broad applicability

Use in combination with other Satake milling equipment to process a wide variety of rice, including GABA and parboiled rice.

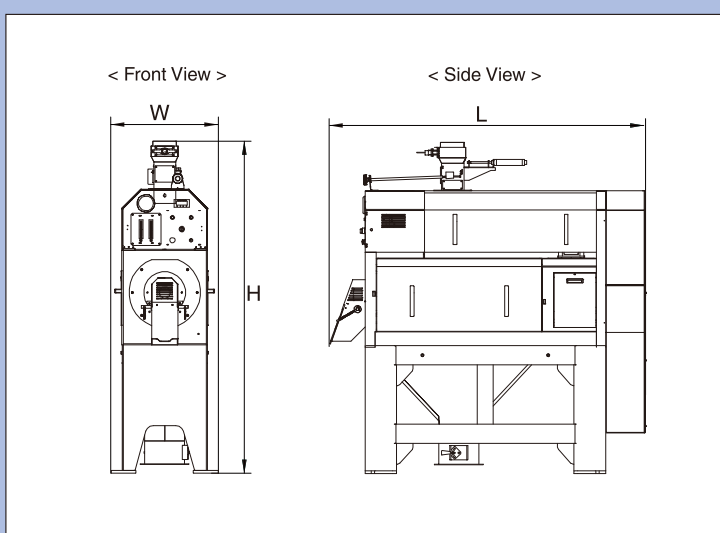
## MILLING POLISHER

### Specifications

Model	KB80HS
Required Power (kW)	55 or 75 (6P)
Input Capacity (t/h)*	4.5 - 7.5
Required Air Volume (m <sup>3</sup> /min)	60m <sup>3</sup> (φ10°), 100m <sup>3</sup> (φ15°)
Required Static Pressure (kPa)	-1.5 ~ -2.0
Net Weight (kg)	914

\* Input capacity depends on material.

### Dimensions



Model	W(mm)	L(mm)	H(mm)
KB80HS	685	2,005	2,118

\* It is recommended to install a Rotary Sifter just before the machine to remove broken grains and branny material for the following cases:

- a- When processing white rice to produce the best-polished rice.
- b- When using the machine as a rice whitening machine.

All Satake products are the subject of continuous development and, as a result, their specification may change and differ in detail from those shown.

## SATAKE CORPORATION

**Head Office**  
2-30 Saijo Nishihonmachi,  
Higashi-Hiroshima-shi, Hiroshima-ken,  
739-8602, Japan  
URL : [www.satake-group.com](http://www.satake-group.com)

**SATAKE USA INC.**  
10900 Cash Road,  
Stafford, Texas, 77477, U.S.A.  
URL : [www.satake-usa.com](http://www.satake-usa.com)

**SATAKE AMERICA LATINA LTDA.**  
Rua Xavantes, 155-Pav. 20, Bairro  
Atradores, CEP 89203-210, Joinville,  
Santa Catarina, Brazil  
URL : [www.satake.com.br/](http://www.satake.com.br/)

**SATAKE EUROPE LTD.**  
P.O. Box 53, Horsfield Way, Bredbury  
Industrial Park, Bredbury, Stockport,  
Cheshire, SK6 2SU, U.K.  
URL : [www.satake-europe.com](http://www.satake-europe.com)

**SATAKE INDIA ENGINEERING PVT. LTD.**  
4th Floor, Tower-1, HB Twin Towers, A2,  
3, 4, Netaji Subhash Place, Wazirpur  
District Centre, New Delhi, 110034, India  
URL : [www.satakeindia.com/](http://www.satakeindia.com/)

**SATAKE (THAILAND) CO., LTD.**  
133,134 Moo 5, Bangkadi, Mueang  
Pathum Thani, Pathum Thani 12000,  
Thailand  
URL : [www.sataketh.com](http://www.sataketh.com)

**SATAKE INTERNATIONAL BANGKOK CO., LTD.**  
888/84 Mahatun Plaza Bld., 8th Floor,  
Ploenchit Rd., Lumpini, Pathumwan,  
Bangkok, 10330, Thailand  
URL : [www.sataketh.com](http://www.sataketh.com)

**PT. SATAKE GOBEL INDONESIA**  
Gedung Surabaya Bumi Mandiri,  
Lantai 9, Jalan Jenderal Basuki  
Rachmat Nomor 129-137, Unit 905 B,  
Indonesia

**SATAKE MANUFACTURING (SUZHOU) CO., LTD.**  
229 Jin Feng Road, Suzhou New  
District, Suzhou, Jiangsu Province,  
215129, China  
URL : [www.satake.cn/](http://www.satake.cn/)

**SATAKE AUSTRALIA PTY. LTD.**  
15 Leland Street, Penrith, N.S.W.,  
2750, Australia  
URL : [www.satake.com.au](http://www.satake.com.au)

ISO 9001 Certification  
(Quality Management Systems)

ISO 14001 Certification  
(Environmental Management Systems)

SATAKE CORPORATION has obtained  
ISO9001 and ISO14001 certification.  
These international standards for management  
systems ensure Satake will continue to provide  
high quality products and services.